

WMC8 SERIES

OUTDOOR LIGHTING

WESTGATE
THE FUTURE IS HERE...AND IT'S QUITE BRIGHT!

WMC8-DL-MCT-BR-D
WMC8-DL-MCT-BN-D
WMC8-DL-MCT-WH-D
WMC8-DL-MCT-BK-D

Customer Name: _____

Project Name: _____

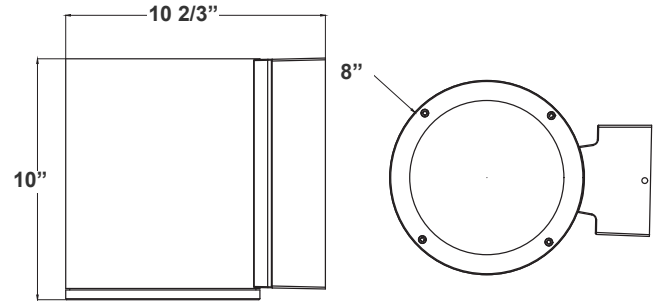
Note: _____

Type: _____



MCT₃

Selection:



10"(H) x 10 2/3"(W) x 8"(D)
Back Box Dimensions: 9-1/2" x 4-1/2"

Ideal for general site lighting, walkways, and stairways, alleys, loading docks, doorway, pathway and parking areas

Features

- Finish: Black, Bronze, Brushed Nickel & White
- Multi CCT (Selectable Switch on the Bottom of the Arm, Protected by Silicon Cover to be Waterproof)
- 7-Year Warranty
- Outdoor Down Light

Technical Specifications

Electrical:

- Voltage: 120V AC
- Power Factor: >0.95
- Wattage: 40W
- Efficacy: 80 LPW
- THD: <20%

Mechanical:

- Housing: Die-cast Aluminum & Glass
- Finish: Black, Bronze, Brushed Nickel & White
- Maximum Ambient Temperature: -68°F to 104°F
- Suitable for Wet Location

Lighting:

- Dimming: TRIAC Dimming (Using Standard TRIAC LED Dimmers)
- Total Lumens: 3200LM
- Color Temperatures: 3000K/4000K/5000K
- Multi CCT (Selectable Switch on the Bottom of the Arm, Protected by Silicon Cover to be Waterproof)
- Color Rendering Index: CRI ≥ 80
- Rated life: 70,000 hrs
- Beam angle: 45°

Applications:

- Ideal for general site lighting, walkways, and stairways, alleys, loading docks, doorway, pathway and parking areas

Other Models:

- 40W | 3200LM | WMC8-UDL-MCT-BR-D
- 40W | 3200LM | WMC8-UDL-MCT-BN-D
- 40W | 3200LM | WMC8-UDL-MCT-BK-D
- 40W | 3200LM | WMC8-UDL-MCT-WH-D

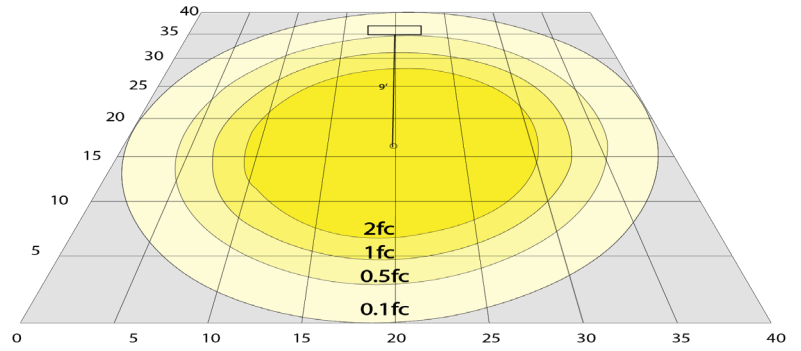
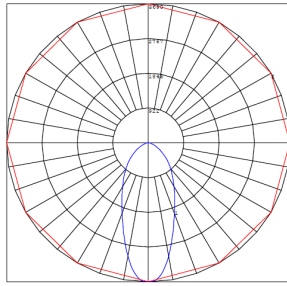
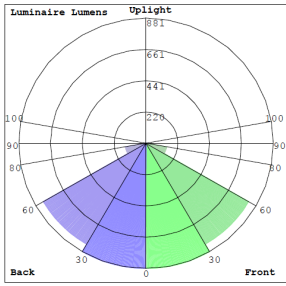


Phone: (877) 805-2252 | Fax: (877) 805-2252
www.westgatemfg.com



WG-Z7-26-2Z

Photometrics: WMC8-DL-MCT



BUG Rating: B2-U1-G0

40W 5000K, Area 40'x 40' Mounting Height: 9'

Other Views:

Bronze Finish:



Side View



Front View



Back View



Lens View

Brushed Nickel Finish:



Side View



Front View



Back View



Lens View

White Finish:



Side View



Front View



Back View



Lens View

Black Finish:



Side View



Front View



Back View



Lens View



Performance Table: WMC8-DL-MCT

MODEL NO.	Wattage	Voltage	Lumens	Color Temp.	BUG Rating	LPW
WMC8-DL-MCT-BR-D WMC8-DL-MCT-BN-D WMC8-DL-MCT-WH-D WMC8-DL-MCT-BK-D	40W	120V	3200LM	3000K/ 4000K/ 5000K	B1-U1-G0	80

Sample Ordering

Model **Light Direction** **Color Temp.** **Finish** **Dimming**

WMC8 - DL - MCT - - DT

BR = Bronze
BN = Brushed Nickel
WH = White
BK = Black

Factory-Installed Option:

Blank = No Option For Accessories
OPT-PC-B = FOR 120V-277V PHOTOCELL
OPT-EM-WMC = INTERNAL EMERGENCY BACK UP BATTERY

FACTORY-INSTALLED OPTION:



OPT-PC-B
FOR 120V-277V PHOTOCELL



OPT-EM-WMC
INTERNAL EMERGENCY
BACK UP BATTERY

